

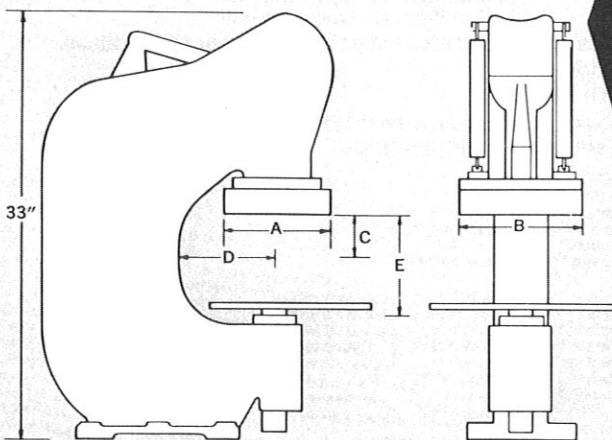
The Kensol 50 was specifically designed for hot stamping, creasing and light embossing on flat items (up to 1¼ inches high), such as: book covers, loose leaf binders, leather goods, etc. Because of the deep 9 inch throat, the 50 can stamp the center of an 18 inch wide article.

The Kensol 50 is available with one main cylinder for 4 tons of pressure or two main cylinders for 6½ tons of pressure. (The second cylinder can be added at any time.) This high speed press will greatly increase production

on work that formerly had to be stamped on slow, expensive motor driven equipment. The stamping head action can be adjusted to give a powerful "squeeze" impression, or a fast "kiss" impression that is required on materials with a plastic finish.

The Kensol 50 is available in a variety of head and roll leaf attachment sizes. Criss-cross, 2 pulls in one direction, etc., also available.

## DIMENSIONS:



## SPECIFICATIONS: ( letters before the more important dimensions ) pertain to the diagrams at left

- IMPRESSION AREA
  - (A) 6 x (B) 8 Inches . . . . . Front to Back (Mechanical Pull)
  - (A) 6 x (B) 8 Inches . . . . . Left to Right (Air-Operated Pull)
  - (A) 6 x (B) 12 Inches . . . . . Front to Back (Mechanical Pull)
  - (A) 6 x (B) 12 Inches . . . . . Left to Right (Air-Operated Pull)
  - (A) 10 x (B) 15 Inches . . . . . Left to Right (Air-Operated Pull)
- DIRECTION OF AUTOMATIC ROLL LEAF PULL

Special larger heater heads and roll leaf attachments made to your specifications.

- HEAD STROKE: (C) 3 Inches
- DEPTH OF THROAT: (D) 9 Inches
- MAXIMUM OPENING (with head in up position): (E) 4¾ Inches
- WILL HOT STAMP ITEMS UP TO 1¼ INCHES HIGH

**PRESSURE RANGE:** Up to 4 Tons with one main cylinder.  
Up to 6½ Tons with two main cylinders.

**WORK TABLE:** ½ x 12 x 14 Inches ground steel, standard. 1 x 18 x 18 Inches ground steel, optional. Both slide in and out by hand for makeready purposes.

**HEATING SYSTEM:**  
2-500 Watt cartridge heaters in 6 x 8 inch head, 1000 Watt total  
3-480 Watt cartridge heaters in 6 x 12 inch head, 1200 Watt total  
3-800 Watt cartridge heaters in 10 x 15 inch head, 2400 Watt total

**THERMOSTAT:** "Robertshaw" 0-550°F, standard on heads up to 10 x 15 inches. Solid state proportioning heat control, standard, on 10" x 15" head.

**ELECTRICAL DWELL TIMER:** 0-3 Seconds, complete with ON-OFF switch, dial and pilot light.

**CONTROLS:** Two hand, concurrent, no tie down switches with head shut safety system, standard.

**ELECTRICAL REQUIREMENTS:** 110 Volts A.C. or 220 Volts A.C. 220 Volts A.C. recommended on the 10 x 15 inch and larger heads.

**COMPRESSED AIR REQUIREMENTS:** 7½ CFM at 80 pounds pressure on one cylinder machines (or a 1½ H.P. compressor). 15 CFM at 80 pounds pressure on two cylinder machines (or a 3 H.P. compressor).

**DIMENSIONS:** 22" wide x 27" deep x 33" high. **WEIGHT:** 475 Pounds net (uncrated).