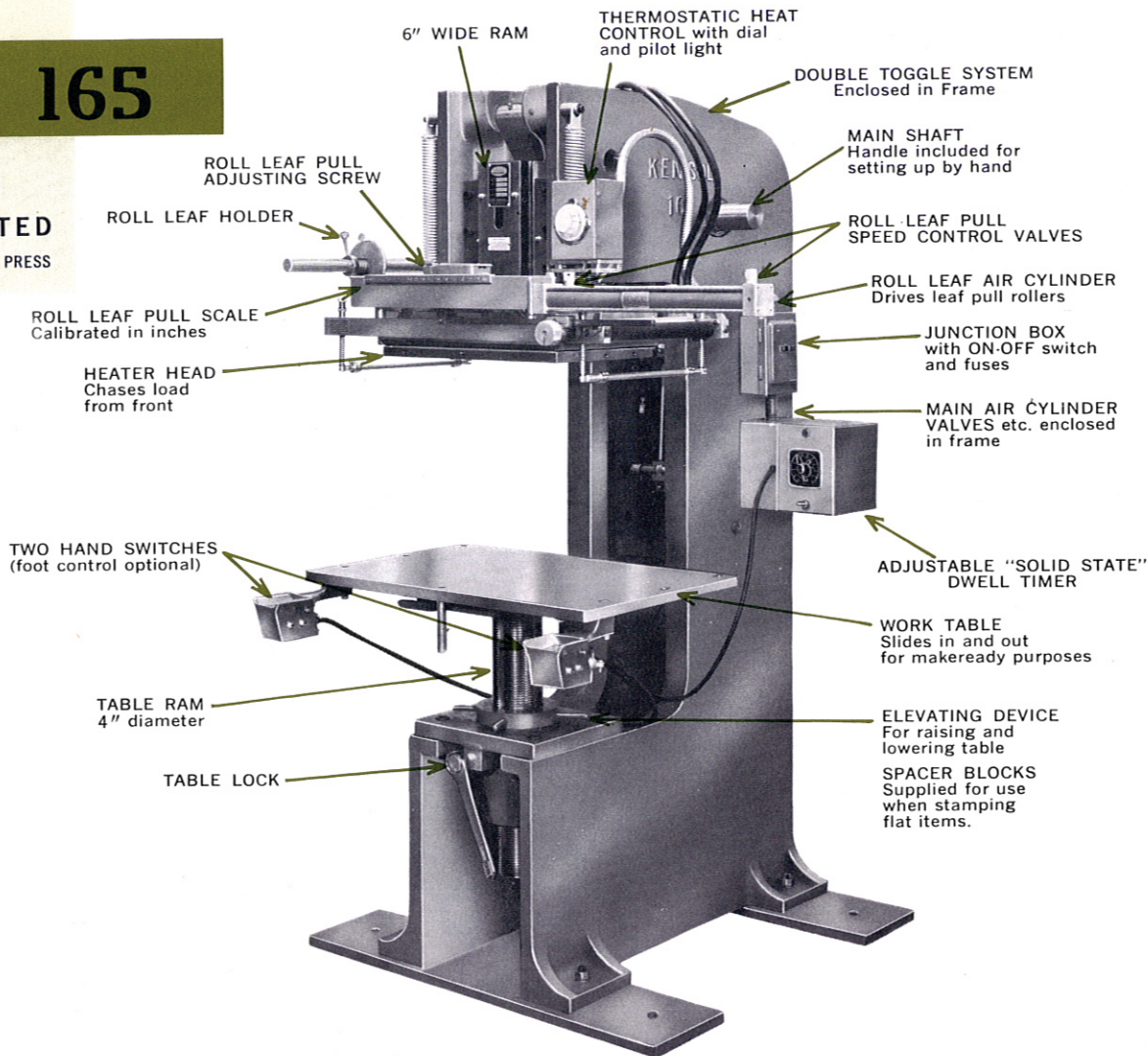


KENSOL 165

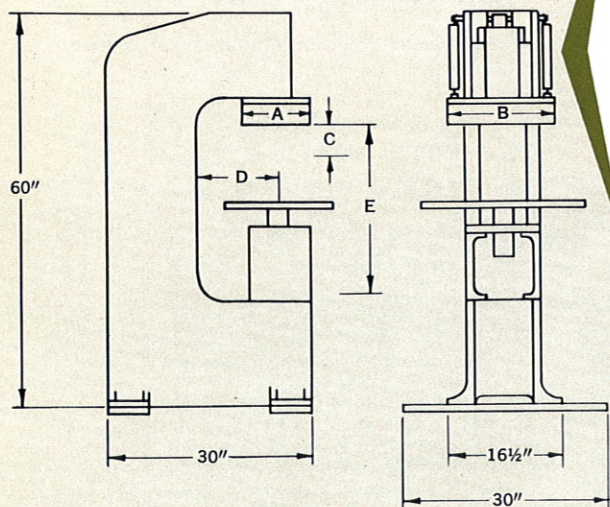
8 TON
AIR-OPERATED
 ROLL LEAF STAMPING PRESS



The new Kensol 165 eight ton, double toggle press is the most versatile hot stamper ever designed. This machine is similar to the Kensol 65 except for the frame design. The 165 will stamp items from flat to twenty inches high. Due to the extra deep 12 inch throat, the center of a 24 inch wide

article can be stamped. Machine is shown above with worktable in its lower position (to accommodate items from 10" to 20" high). Removable spacer blocks are included (see sketch) for work under 10 inches high.

DIMENSIONS:



SPECIFICATIONS:

(letters before the more important dimensions pertain to the diagrams at left)

- IMPRESSION AREA DIRECTION OF AUTOMATIC ROLL LEAF PULL
- (A) 6 x (B) 8 Inches Left to Right Air-Operated Pull
- (A) 6 x (B) 12 Inches Left to Right Air-Operated Pull
- (A) 10 x (B) 15 Inches Left to Right Air-Operated Pull

Special larger heater heads and roll leaf attachments made to your specifications.

- HEAD STROKE: (C) 3 Inches
- DEPTH OF THROAT: (D) 12 Inches
- MAXIMUM OPENING (with head in up position and spacer block removed): (E) 23 Inches
- WILL HOT STAMP ITEMS UP TO 20 INCHES HIGH

PRESSURE RANGE: Up to 8 Tons

WORKTABLE: 1/2" x 12" x 14" standard with 6" x 8" and 6" x 12" heads
 3/4" x 16" x 24" standard with 10" x 15" head
 Both slide out by hand for makeready purposes.

HEATING SYSTEM:

- 2-500 Watt cartridge heaters in the 6 x 8 inch head, 1000 Watt total
- 3-400 Watt cartridge heaters in the 6 x 12 inch head, 1200 Watt total
- 4-600 Watt cartridge heaters in the 10 x 15 inch head, 2400 Watt total

THERMOSTAT: Robertshaw 0-550° F., complete with dial and pilot light, standard.
 A.P.I. electronic with module, optional at extra cost.

DWELL TIMER (SOLID STATE): 0-5 Seconds, complete with ON-OFF switch, dial and pilot light

CONTROLS: Two hand switches, with no tie down feature, standard. Foot control, also available

ELECTRICAL REQUIREMENTS: 110 Volts A.C. or 220 Volts A.C. 220 Volts A.C. recommended on the 10 x 15 inch and larger heads.

COMPRESSED AIR REQUIREMENTS: 9 CFM at 100 pounds pressure (or a 2 H.P. compressor)

DIMENSIONS: 30" wide x 33 1/2" deep x 60" high.

WEIGHT: 1,350 pounds net (10 x 15 inch Press, uncrated)

SEE INDEX FOR TYPE AND DIE HOLDERS, TURNTABLE, POWER SLIDING TABLE, AND OTHER ACCESSORIES