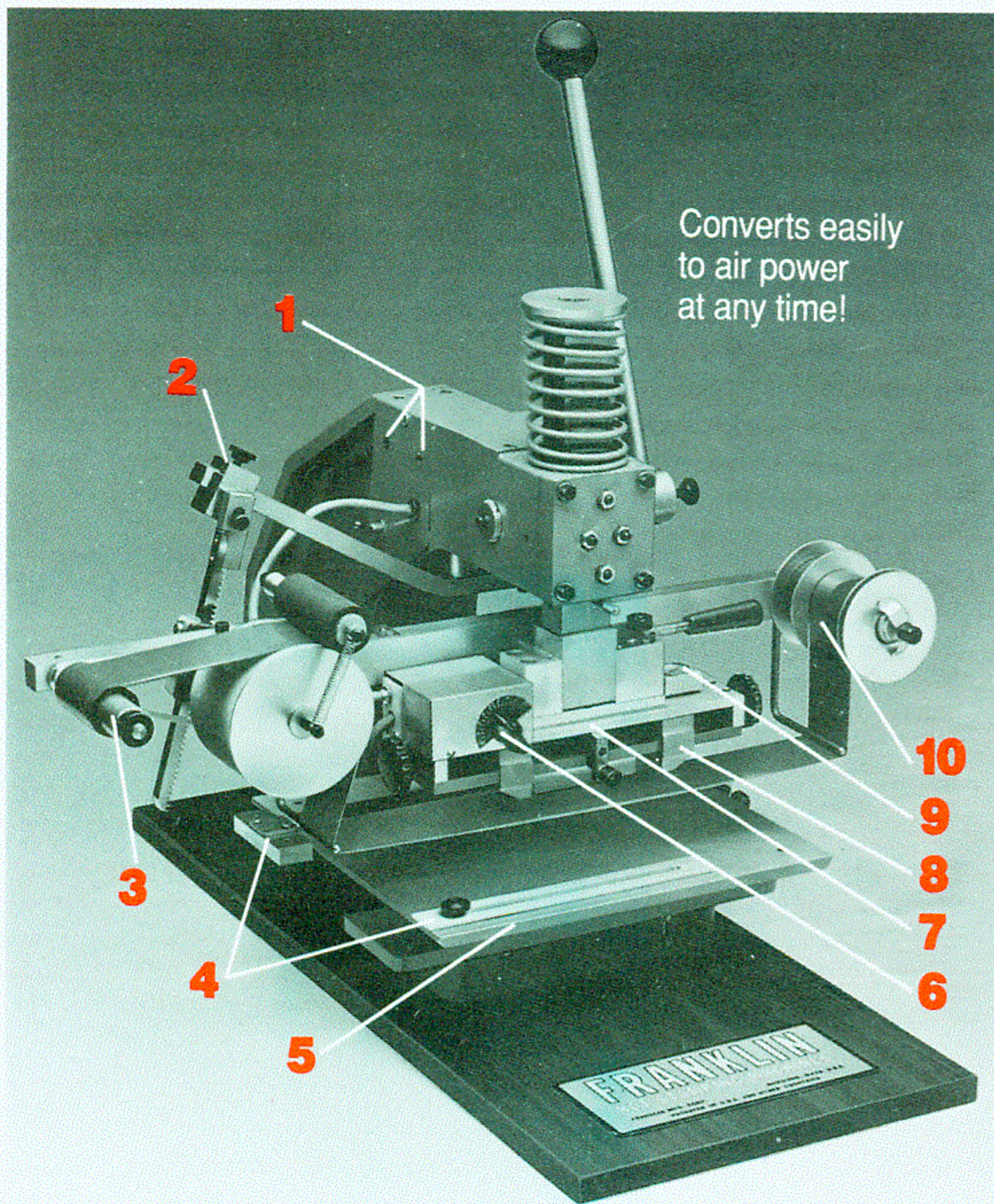


# MODEL 115

## Hand-Operated Hot Stamping Machine



The Model 115 heavy duty hand hot stamper has many advanced features not found in competitive machines.

The Model 115 is equipped with an accurate *adjustable thermostatic heat controller*, a heavy duty industrial *cartridge heater* and includes an easily adjustable *automatic foil advance* system. The Model 115 also features an accurate type and die centering system. (Minimum type size for self centering 18 Pt.)

The cast aluminum frame of the Model 115 is precision machined to insure long life. The rugged square steel head ram is guided by adjustable bronze oilite ways for smooth performance.

Ideal for hot stamping items like binders, ribbons, plastic items, presentation folders, stationery, pressure sensitive and plastic nameplates, the Model 115 is the machine of choice when a heavy duty hand hot stamper is required.

### Easily Converted To Air Operation

The Model 115 is the only hand operated hot stamper in its class that has the ability to be easily converted to air power.

The air conversion package consists of a *double end cylinder*, *solid state dwell timer with microsecond adjustment*, *air filter*, *automatic lubricator*, *regulator with indicator gauge*, *flow control*, *directional solenoid* and *supporting frame*.

All of the above will be supplied attached to the supporting frame with complete assembly instructions. Removal of four bolts from the main frame of the machine is all that's required to make this easy conversion!

### Choose From A Wide Selection Of Typestyles, Emblems, And Party Dies

FRANKLIN offers a wide selection of choice *typefaces* in brass, steel, or hard metal as well as *dies* in a variety of materials. Contact Franklin *Customer Service* for more information.

### Features

1. Power On Light & Temperature Indicating Light
2. Foil Advance Control to Adjust Pull Length.
3. Foil Rewind Assembly for Take-up of Used Foil.\*
4. Squaring Gauge and Side Stops for Accurate Positioning of Items Being Imprinted
5. Sliding Work Table and Stop for Easy Set-Up
6. Precise Thermostatic Heat Control Knob
7. Tilttable Type and Die Holder.
8. Self-Centering Jaws
9. Heat Indicating Thermometer
10. Automatic Leaf Pull with Spacer Blocks for Positioning up to 2.5" Wide Foil

### Imprint Area:

2"x6-1/4"

### Throat Depth:

9"

### Clearance Under Head:

2-5/8" (Additional clearance available)

### Wattage:

500

### Voltage:

120V standard. 220V available.

### Temperature Range:

0-400° F

### Dimensions:

20-3/8"H x 21-1/2"W x 28"L

### Package Dimensions:

28"H x 25"W x 34"L

### Net Weight:

86 lbs.

### Shipping Weight:

100 lbs.

\*Optional

MADE IN THE USA

# FRANKLIN

MANUFACTURING CORPORATION

692 Pleasant Street, P.O. Box 96, Norwood, Massachusetts 02062, Telephone: 617-769-5800, FAX: 617-762-5179  
A Kensol/Foilmark Affiliated Company