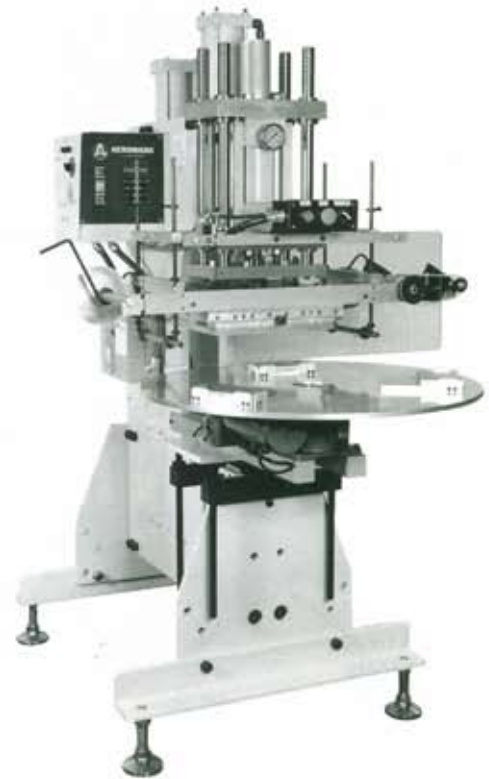


ACROMARK HOT STAMPING PRESS VERTICAL SERIES 800

ACROMARK Model 830-150, 10-ton press with a precision rotary indexer shown with three stations of tooling. Capable of marking in excess of 1,800 parts per hour with manual loading and unloading of parts.

Addition of automatic loading and unloading is available as an option.



MODEL 830-150



MODEL 850-100

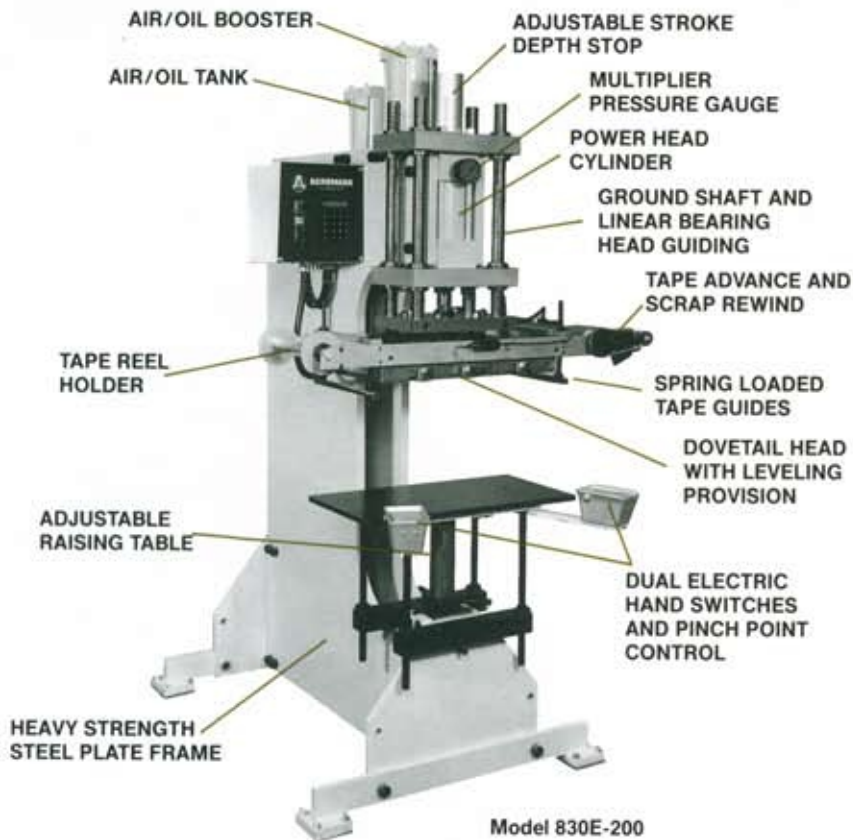
ACROMARK Model 850-100, 20-ton press with fixed knee style frame designed to mark large molded crates (up to 64 cubic feet) with either flat stamp image dies or interchangeable automatic numbering heads. Special style frames and tooling are available for marking beverage crates, recycling containers, and curbside trash containers.



ACROMARK INDUSTRIES, INC.

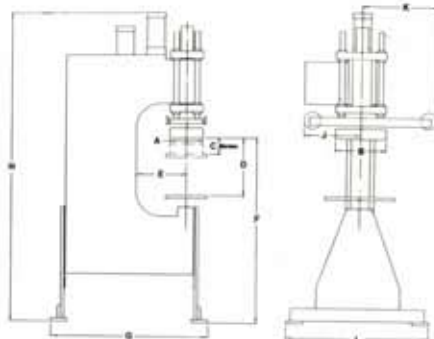
ACROMARK HOT STAMPING PRESS

VERTICAL SERIES 800



Model 830E-200

THE HOT STAMPING PRESS WITH MAXIMUM FLEXIBILITY



- High strength steel plate construction
- Extended vertical and horizontal clearances available
- High/Low, Air/Oil power system
- Point of contact high pressure activation
- Depth stop stroke adjustment
- Linear rod head guidance
- Choice of heated head sizes
- Adjustable leveling head feature
- Motorized foil feeds with automatic scrap rewind
- Separate power switches for heated head and press
- Fixed knee or adjustable raising table configurations

The Series 800 C-frame Presses are available with maximum rated capacities ranging from 10 to 20 tons. They are capable of handling the widest range of part sizes and production requirements of any machine in the market.

Each press comes with a rugged modular steel plate frame permitting an unlimited variety of frame configurations to suit every product need. The Series 800 presses operate with a direct acting, air/oil power system, developing a controlled marking pressure of anywhere from 1/2 to 20 tons with point contact high pressure activation. Both the four and six inch stroke cylinders preclude the need for fine adjustments to the support table during set up and automatically compensate for part thickness variations. Vertical clearance adjustments are made on raising table models by means of a heavy threaded center screw and four adjustable outboard supports.

Dual electric hand switches with anti-tie down, anti-pinch point safety circuitry are standard. There are four standard heated head sizes while special requirements are met upon request. All heads are suspended on a four post ram guidance assembly with hardened and ground steel shafts moving through two levels of bearings for precision stamping accuracy. All heads have an adjustable leveling provision for ease in set-ups. A process controller with solid state temperature control and motorized foil feed with automatic scrap foil rewind is standard. Among available options are receding foil guides, adjustable delayed foil strip circuitry, and preprinted heat transfer feed systems with electric eye registration.

All Series 800 presses can be equipped with rotary index table assemblies, slide tables, or automatic part feeders and ejection systems, for increased productivity in your hot stamp operation. The Series 800 presses offer a full range capability, from delicate tipping to full pressure imprinting, and are ideal systems for all your requirements in hot stamp decorating.

SPECIFICATIONS

MODEL	DIMENSIONS (Inches)											WATTS	VOLTS	PRESSING FORCE/tons			SHIPPING WEIGHT/lbs.
	A	B	C	D	E	F	G	H	I	J	K			21 psi	50 psi	72 psi	
830-100	8	12	4/6	14/24	12	44	38/44	75	34	13.5	19	1600	115	3	7	10	1600
830-150	10	15	4/6	14/24	12	44	38/44	75	34	18	23	2800	230	3	7	10	1650
830-200	10	20	4/6	14/24	12	44	38/44	75	34	18	23	3600	230	3	7	10	1800
840-100	8	12	4/6	14/24	12	44	38/44	75	34	13.5	19	1600	115	4.5	10	15	2200
840-150	10	15	4/6	14/24	12	44	38/44	75	34	18	23	2800	230	4.5	10	15	2250
850-100	8	12	4/6	14/24	12	44	38/44	75	34	13.5	19	1600	115	6	14	20	2700
850-150	10	15	4/6	14/24	12	44	38/44	75	34	18	23	2800	230	6	14	20	2700



ACROMARK INDUSTRIES, INC.