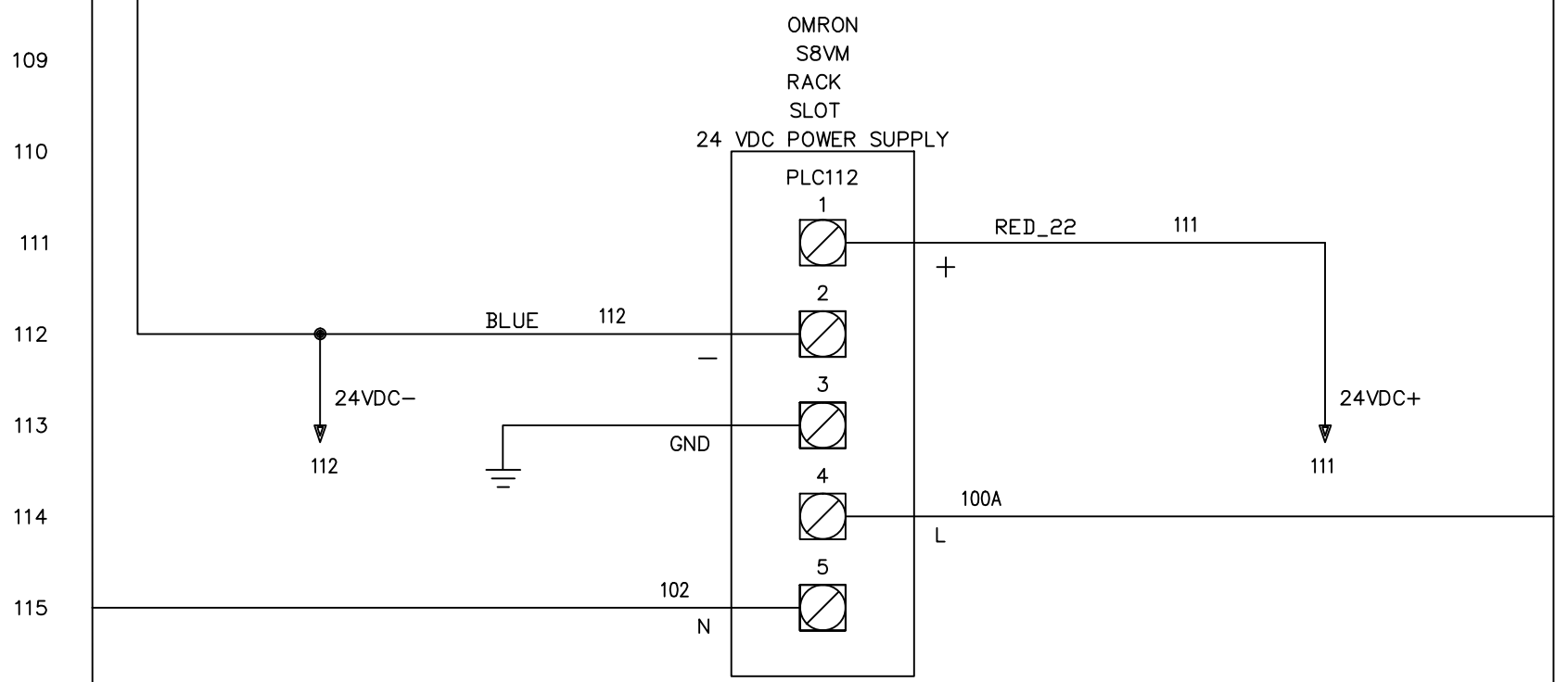
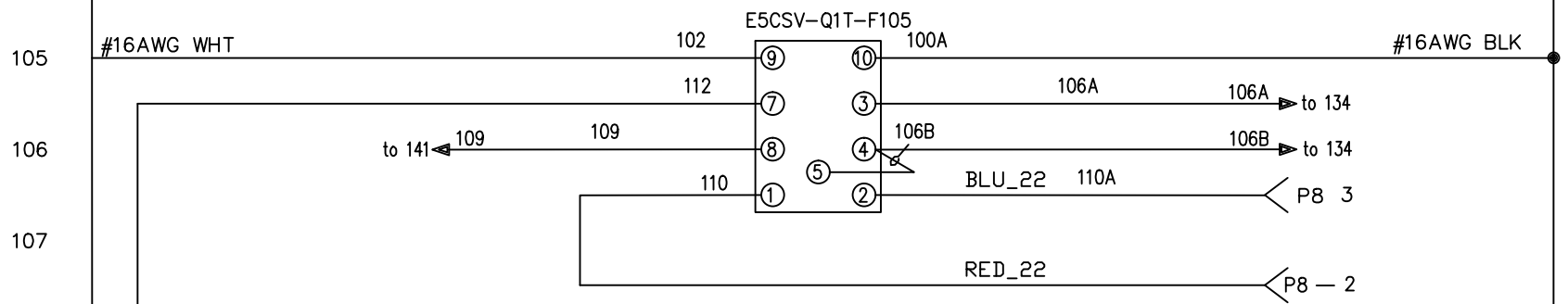
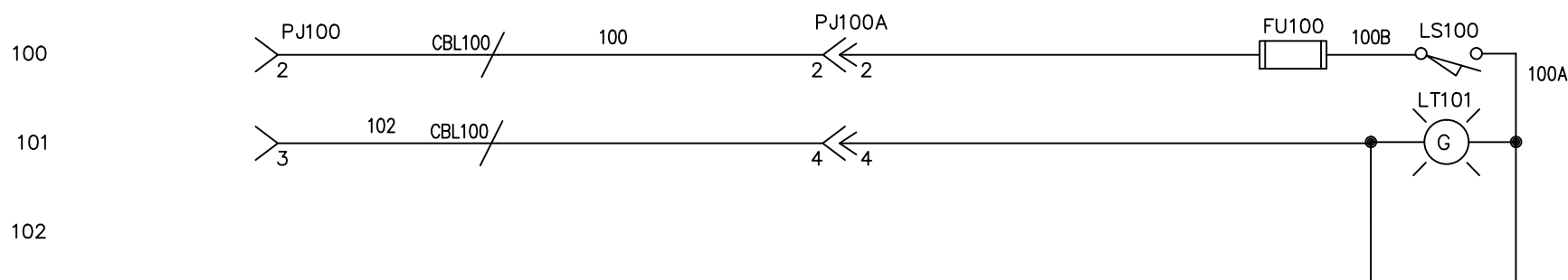


REV	DATE	CHANGE	TR NO.	REV BY.



S:\AFMMachines\19000 Hot Stamp Control Box\19000 Omron_Electrical_Drawings_with_Disconnect\19007 Omron_Control_Box_2014\19007-001.dwg

AFM ENGINEERING, INC.
 1313 E. Borchard Ave
 Santa Ana, CA 92705

TITLE AFM ENGINEERING, INC.
 19007 OMRON CONTROL BOX 2014
 DRAWING NO. 19007-001 SHEET OF 4

DESIGNED BY IRWIN
 DRAWN BY IRWIN
 CHECKED BY C.S.I.
 APPROVED BY C.S.I.

4
3
2
1

4
3
2
1

A B C D