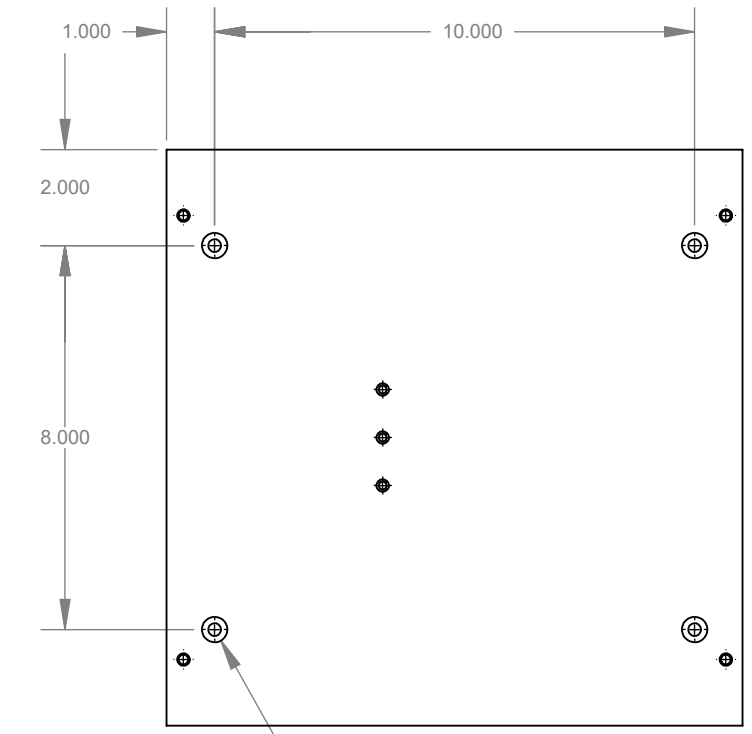
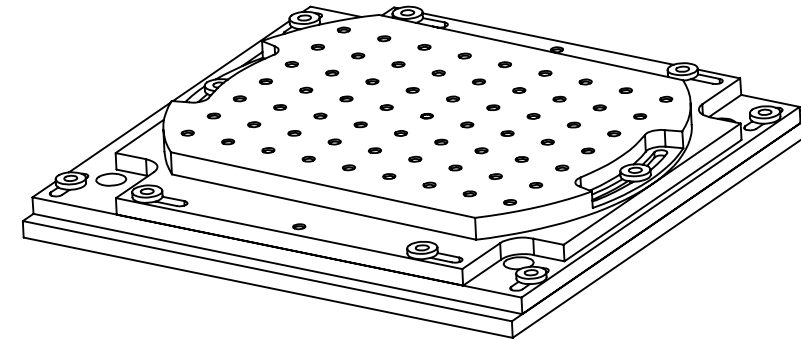
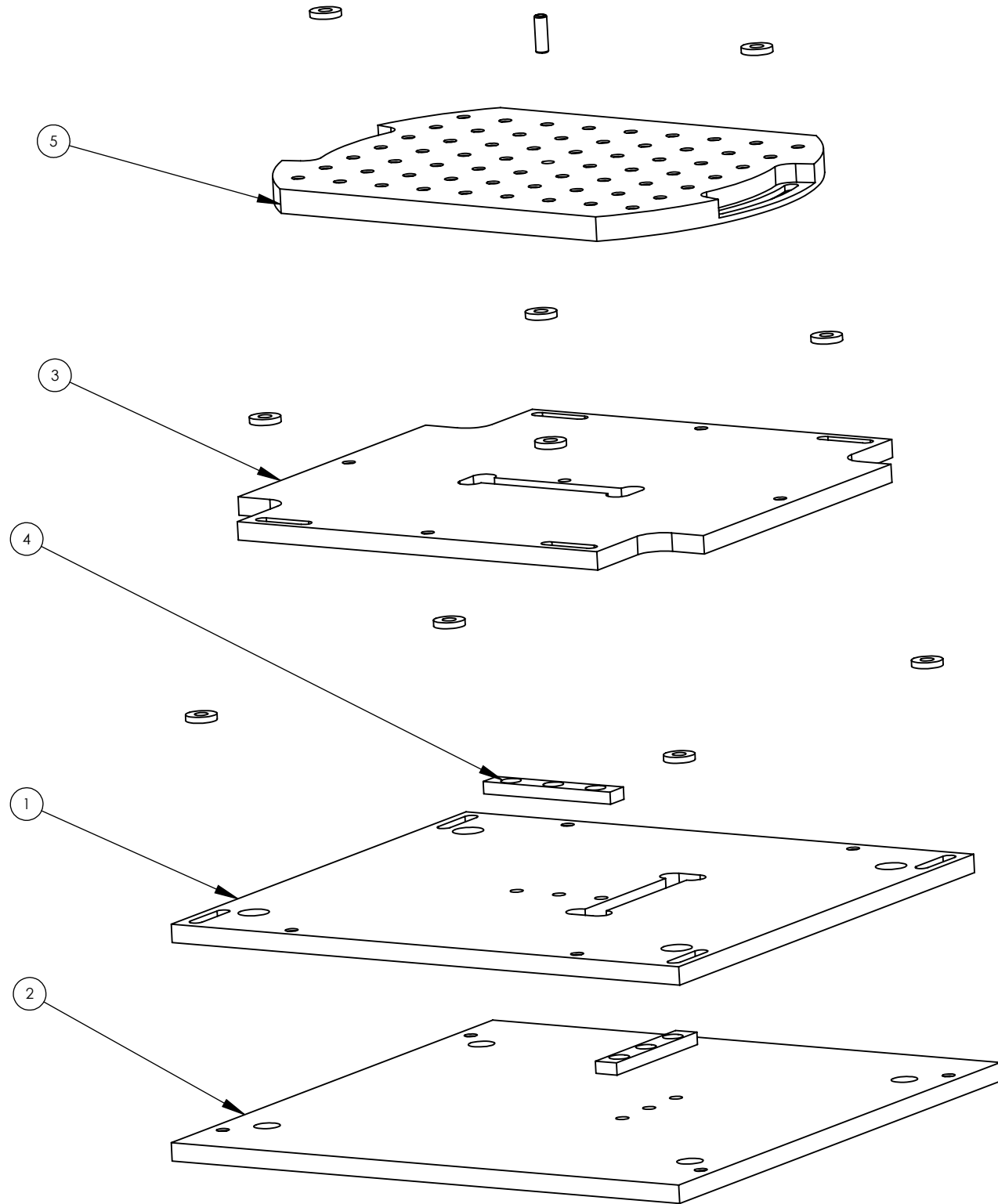


ITEM NO.	QTY.	DESCRIPTION	PartNo	PART NUMBER
1	1	Y-Plate (8x12XYR)	101053	23002-002
2	1	Base Plate (8x12 XYR)	101052	23002-001
3	1	X-Plate (8x12 XYR)	101054	23002-003
4	2	SLIDE PLATE	104674	23001-003
5	1	R-Plate (8x12 XYR)	101062	23002-004
6	10	.250 Hardened Washer		250 Hardend Washser
7	1	.250 X .750 Dowel Pin		.250 X .750



4X ϕ .266 THRU ALL
 \checkmark ϕ .531 X 82°
 Mounting Pattern
 Use 1/4 Countersunk Screws for Mounting

PROPRIETARY AND CONFIDENTIAL
 THE INFORMATION CONTAINED IN THIS DRAWING IS THE SOLE PROPERTY OF AFM ENGINEERING, INC. ANY REPRODUCTION IN PART OR AS A WHOLE WITHOUT THE WRITTEN PERMISSION OF AFM ENGINEERING INC. IS PROHIBITED.

DIMENSIONS ARE IN INCHES TOLERANCES: FRACTIONAL \pm ANGULAR: MACH \pm BEND \pm TWO PLACE DECIMAL \pm .010 THREE PLACE DECIMAL \pm .005		NAME	DATE	AFM Engineering, Inc. AFM Engineering Inc. XYR Location Table, 6x8 AFM PART # 101165
	DRAWN	Irwin	4/11/2005	
	CHECKED	Irwin	4/11/2005	
	ENG APPR.			
	MFG APPR.			
		Q.A.		SIZE DWG. NO. B 23002-000 SCALE:1:1 WEIGHT: 17.456 SHEET 1 OF 1
		COMMENTS:		
NEXT ASSY	USED ON			
APPLICATION	DO NOT SCALE DRAWING			