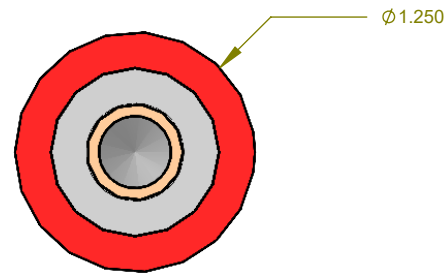
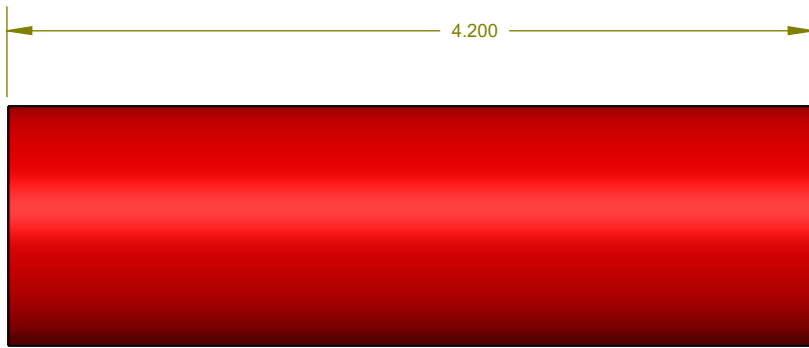
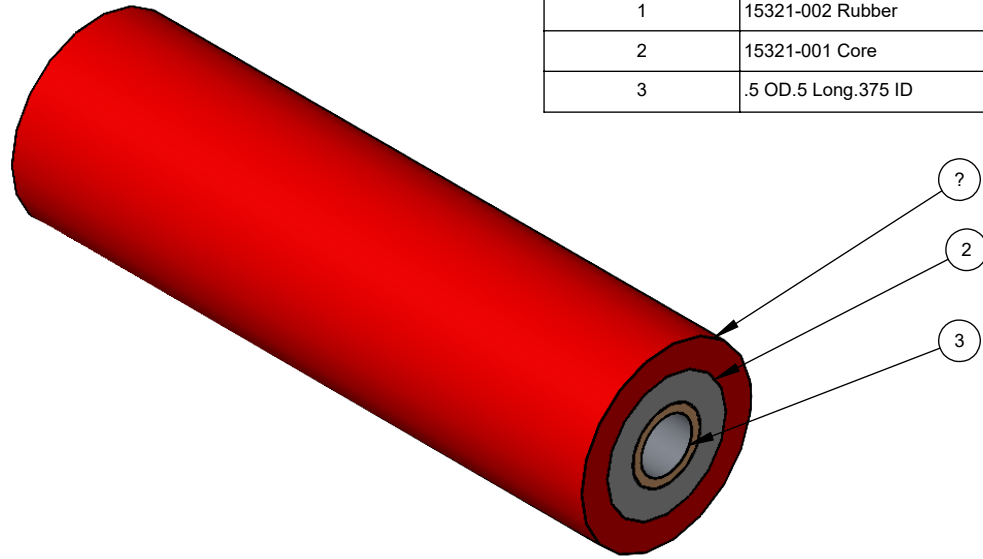


ITEM NO.	PART NUMBER	DESCRIPTION	QTY.
1	15321-002 Rubber	2X4 3X6 Rubber	1
2	15321-001 Core	2X4 3X6 Roller, Rubber, Core	1
3	.5 OD.5 Long.375 ID	Brass Bushing	2



AFM Part Number 102593

PROPRIETARY AND CONFIDENTIAL

THE INFORMATION CONTAINED IN THIS DRAWING IS THE SOLE PROPERTY OF AFM ENGINEERING, INC. ANY REPRODUCTION IN PART OR AS A WHOLE WITHOUT THE WRITTEN PERMISSION OF AFM ENGINEERING INC. IS PROHIBITED.

		DIMENSIONS ARE IN INCHES TOLERANCES: FRACTIONAL $\pm .032$ ANGULAR: MACH \pm BEND \pm TWO PLACE DECIMAL $\pm .005$ THREE PLACE DECIMAL $\pm .010$	NAME	DATE	AFM Engineering, Inc.
DRAWN	Irwin		-		
CHECKED	Irwin	-			AFM Engineering, Inc. Part Number 102593 2X4 3X6 Roller, Rubber
ENG APPR.					
MFG APPR.					SIZE DWG. NO. REV. A 15321-000
Q.A.					
NEXT ASSY USED ON		FINISH	COMMENTS:		SCALE:1:1 WEIGHT: 0.480 SHEET 1 OF 1
APPLICATION		DO NOT SCALE DRAWING			