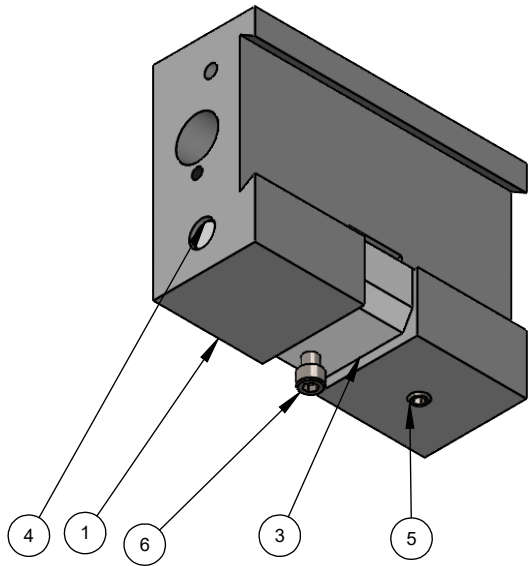
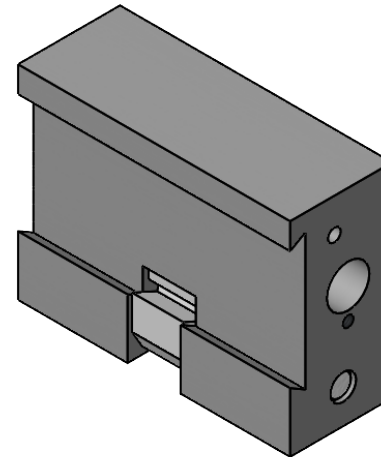
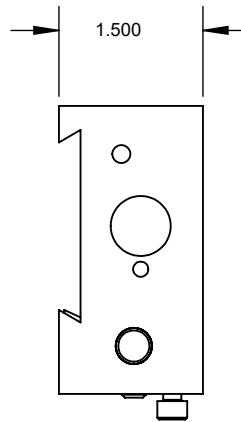
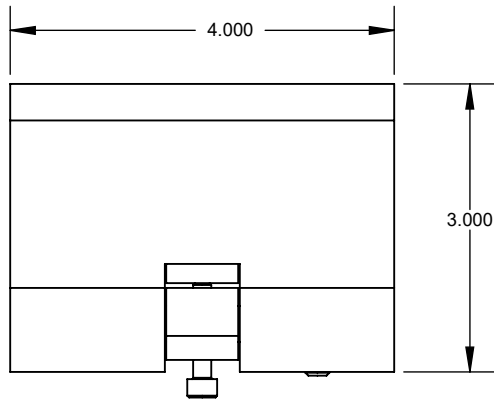


S:\AFMMACHINES\37000 HEATER HEADS\37100 FRANKLIN\37110 2X4\



ITEM NO.	PART NUMBER	PartNo	DESCRIPTION	QTY.
1	37110-001	104559	Heater Block	1
2	37110-003	104561	Clamp Plate	1
3	37110-002	104560	Clamp	1
4	37110-004	104562	Clamp Pin	1
5	SSFLATSKT 0.25-20x0.375-HX-N			1
6	HX-SHCS 0.19-32x1x1-N			1

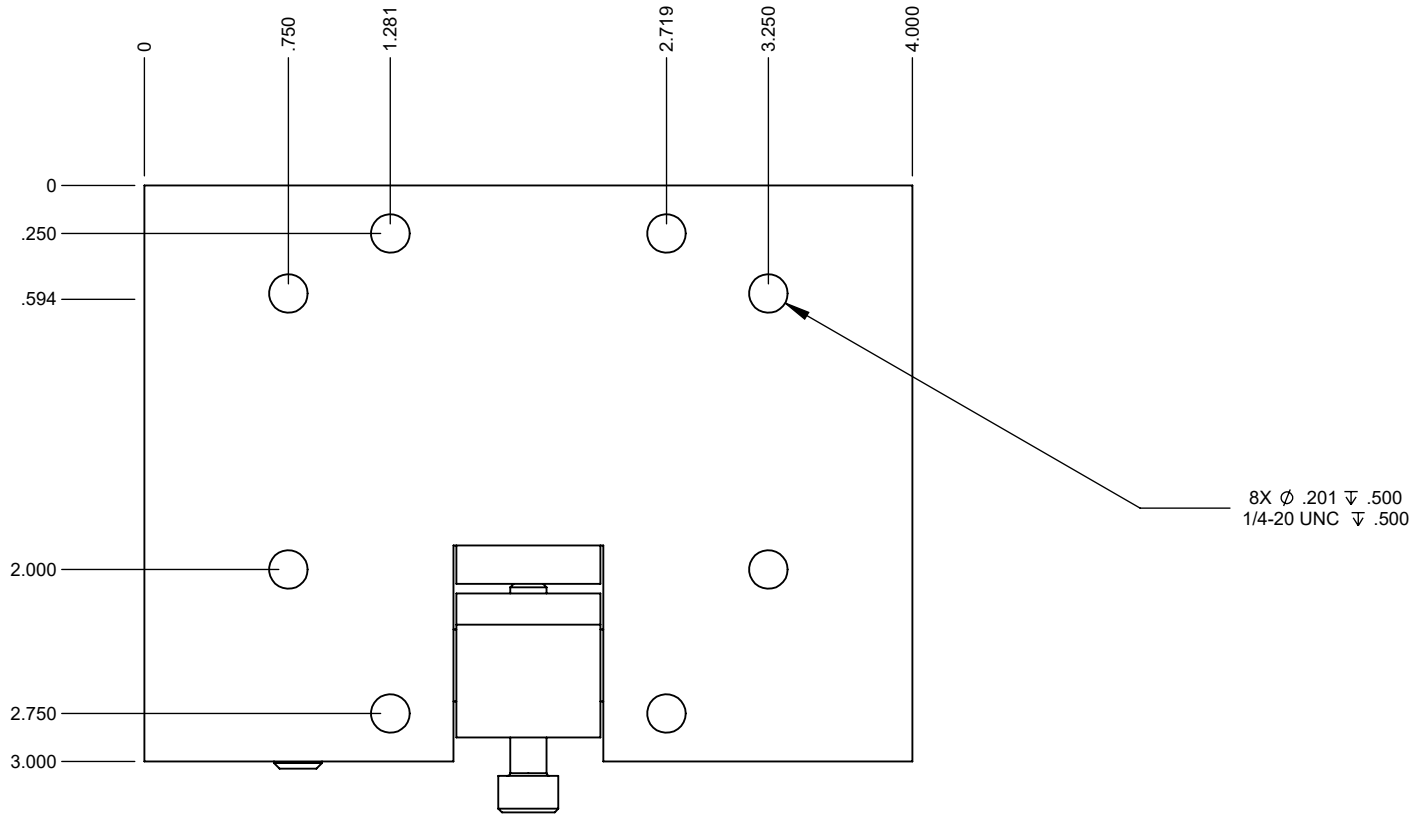


AFM Part Number 103124

PROPRIETARY AND CONFIDENTIAL

THE INFORMATION CONTAINED IN THIS DRAWING IS THE SOLE PROPERTY OF AFM ENGINEERING, INC. ANY REPRODUCTION IN PART OR AS A WHOLE WITHOUT THE WRITTEN PERMISSION OF AFM ENGINEERING INC. IS PROHIBITED.

		DIMENSIONS ARE IN INCHES TOLERANCES: FRACTIONAL $\pm .032$ ANGULAR: MACH \pm BEND \pm TWO PLACE DECIMAL $\pm .010$ THREE PLACE DECIMAL $\pm .005$		NAME	DATE	AFM Engineering, Inc. Franklin Part # 103124 Heater Head 2 X 4 Complete AFM Part #103124
		MATERIAL	DRAWN	Irwin	-	
		FINISH	CHECKED	Irwin	-	
NEXT ASSY	USED ON		ENG APPR.			
APPLICATION		DO NOT SCALE DRAWING	MFG APPR.			
			Q.A.			
			COMMENTS:			SIZE DWG. NO.
			A 37110-000			REV.
			SCALE:1:2 WEIGHT: 1.332			SHEET 1 OF 2



PROPRIETARY AND CONFIDENTIAL

THE INFORMATION CONTAINED IN THIS DRAWING IS THE SOLE PROPERTY OF AFM ENGINEERING, INC. ANY REPRODUCTION IN PART OR AS A WHOLE WITHOUT THE WRITTEN PERMISSION OF AFM ENGINEERING INC. IS PROHIBITED.

		DIMENSIONS ARE IN INCHES TOLERANCES: FRACTIONAL $\pm .032$ ANGULAR: MACH \pm BEND \pm TWO PLACE DECIMAL $\pm .010$ THREE PLACE DECIMAL $\pm .005$		NAME	DATE	AFM Engineering, Inc. Franklin Part # 103124 Heater Head 2 X 4 Complete AFM Part #103124	
		MATERIAL		DRAWN	Irwin		-
		FINISH		CHECKED	Irwin		-
NEXT ASSY		USED ON		ENG APPR.			
APPLICATION		DO NOT SCALE DRAWING		MFG APPR.			
				Q.A.			
				COMMENTS:			
				SIZE	DWG. NO.	REV.	
				A	37110-000		
				SCALE:1:2		WEIGHT: 1.332	
						SHEET 2 OF 2	