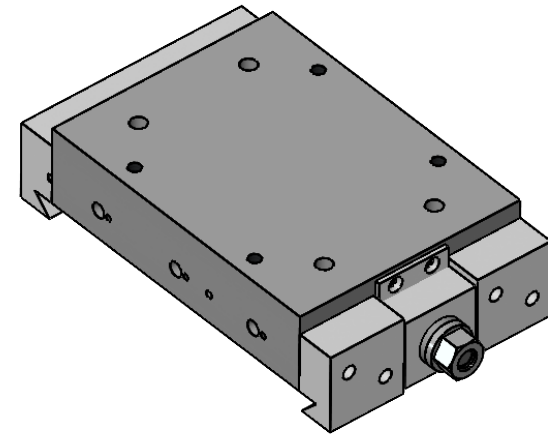
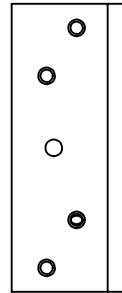
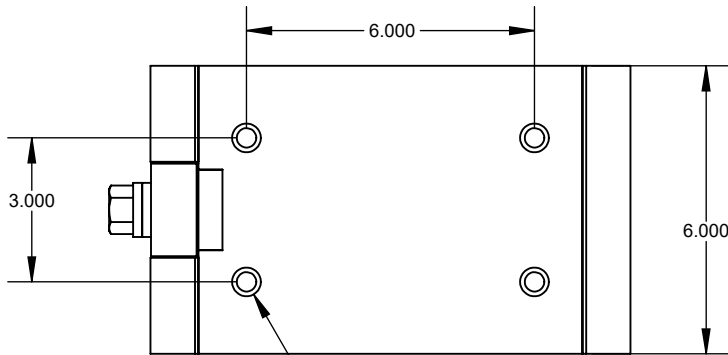


ITEM NO.	PART NUMBER	PartNo	DESCRIPTION	QTY.
1	37130-001	102241	6"X8" HEATER BLOCK	1
2	37100-002_RevA	101113	CLAMP BOLT SIDE(SMALL)	2
3	37100-004_RevA	101112	CLAMP NOT BOLT SIDE	1
4	91045A033-Washer	102695 Washer	Leveling Washer	1
5	91045A033	102695 Nut	Leveling Nut	1
6	37100-001	103376	DOVETAIL CLAMP STUD	1
7	37100-003	101110	Dovetail Clamp	1
8	37100-005	102270	CLAMP SUPPORT	1



AFM Part Number 103126

Job Number _____

PROPRIETARY AND CONFIDENTIAL

THE INFORMATION CONTAINED IN THIS DRAWING IS THE SOLE PROPERTY OF AFM ENGINEERING, INC. ANY REPRODUCTION IN PART OR AS A WHOLE WITHOUT THE WRITTEN PERMISSION OF AFM ENGINEERING INC. IS PROHIBITED.

		DIMENSIONS ARE IN INCHES TOLERANCES: FRACTIONAL $\pm .032$ ANGULAR: MACH \pm BEND \pm TWO PLACE DECIMAL $\pm .005$ THREE PLACE DECIMAL $\pm .010$		NAME	DATE	AFM Engineering, Inc.
		MATERIAL		Irwin	-	
NEXT ASSY		USED ON		Irwin	-	AFM Engineering, Inc. FRANKLIN HEATER HEADS 6"X8" HEADER HEAD
APPLICATION		DO NOT SCALE DRAWING		ENG APPR.		
				MFG APPR.		
				Q.A.		
				COMMENTS:		SIZE DWG. NO.
						A 37130-000
						SCALE:1:4 WEIGHT: 9.964 SHEET 1 OF 1