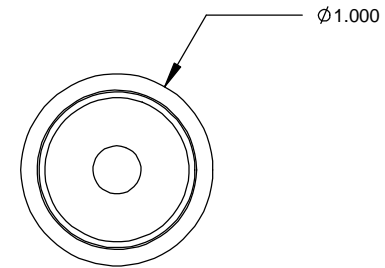
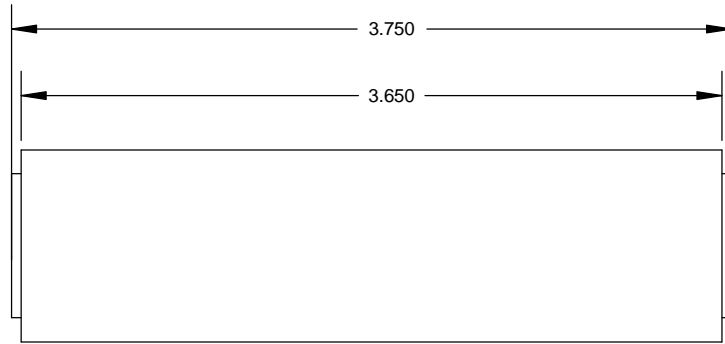
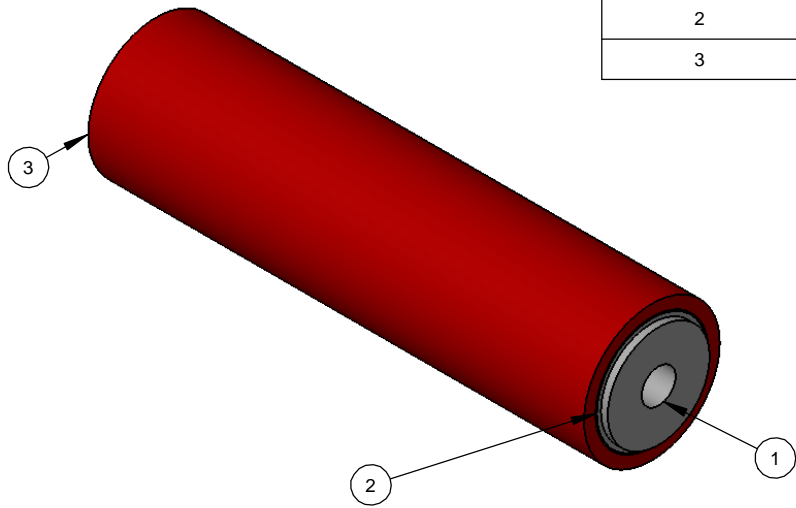


ITEM NO.	PART NUMBER	DESCRIPTION	QTY.
1	5661 Nice Bearing	-	2
2	15341-001 Core	-	1
3	15341-002 Rubber	-	1



AFM Part Number 103294

Job Number 12345
PROPRIETARY AND CONFIDENTIAL
 THE INFORMATION CONTAINED IN THIS DRAWING IS THE SOLE PROPERTY OF AFM ENGINEERING, INC. ANY REPRODUCTION IN PART OR AS A WHOLE WITHOUT THE WRITTEN PERMISSION OF AFM ENGINEERING INC. IS PROHIBITED.

		DIMENSIONS ARE IN INCHES TOLERANCES: FRACTIONAL ±.032 ANGULAR: MACH ± BEND ± TWO PLACE DECIMAL ±.005 THREE PLACE DECIMAL ±.010	NAME	DATE
DRAWN	Irwin		1/4/2010	
CHECKED	Irwin		1/4/2010	
ENG APPR.				
MFG APPR.				
Q.A.				
NEXT ASSY		USED ON	COMMENTS:	
APPLICATION		DO NOT SCALE DRAWING		

AFM Engineering, Inc.

KENSOL
RUBBER ROLLER

SIZE	DWG. NO.	REV.
A	15341-000	
SCALE: 1:1		WEIGHT: 0.317
		SHEET 1 OF 1