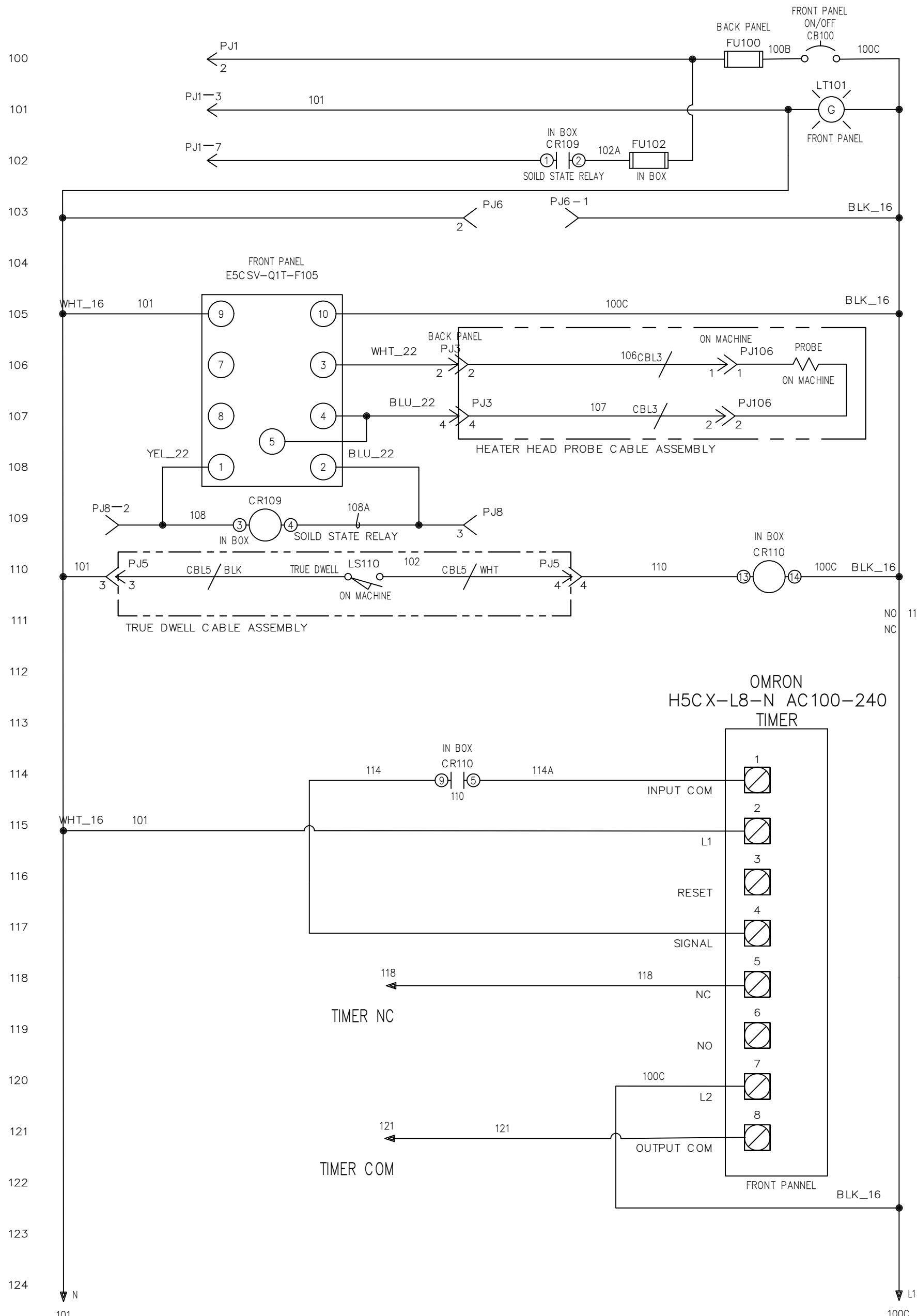


REV	DATE	CHANGE	TR NO.	REV BY.



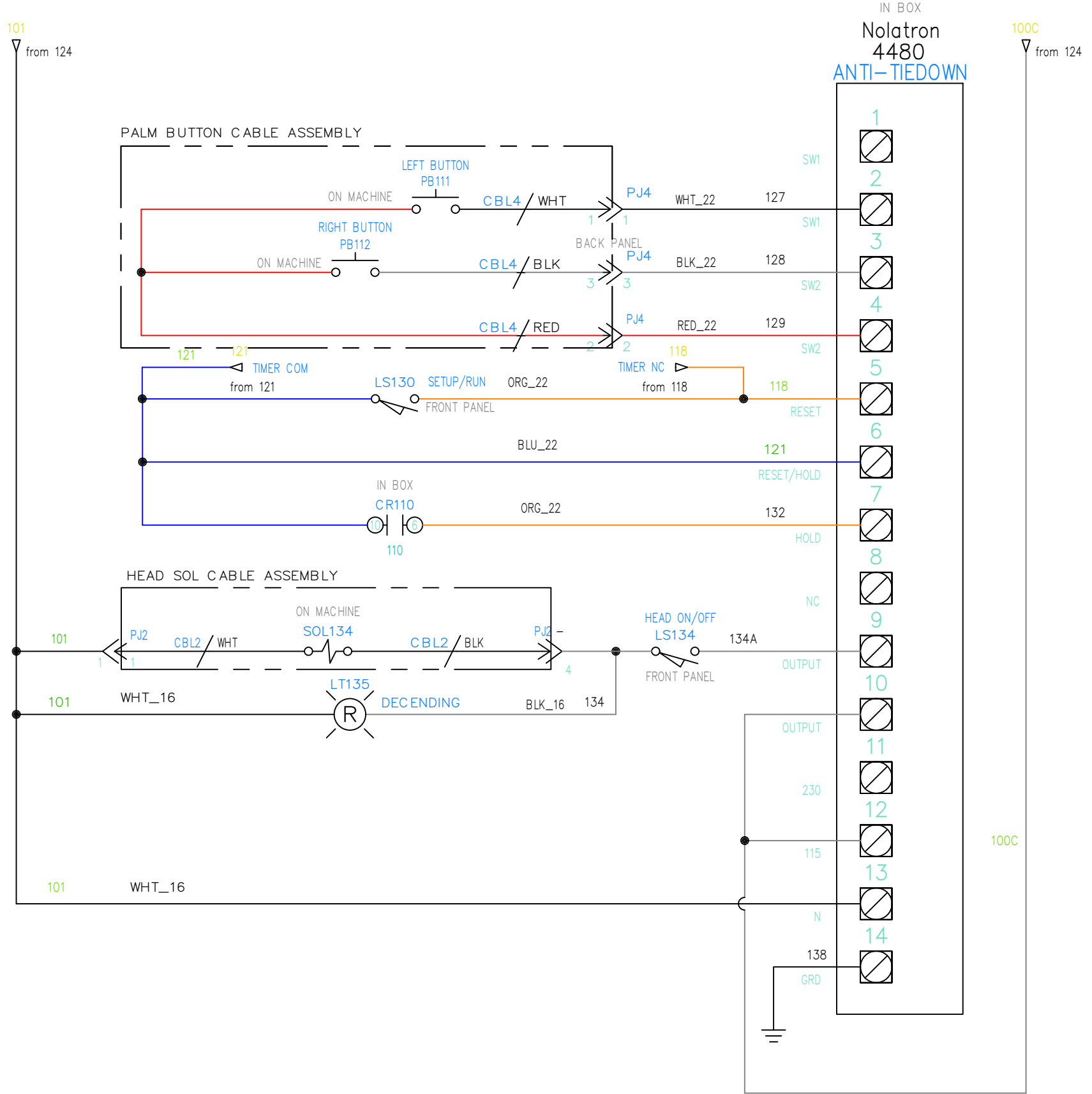
S:\AFMMachines\19000 Hot Stamp Control Box\19040 Control Box No PLC\19041 Hot Stamp Control Box No PLC 120vac\19041-100-1 120VAC REV0.dwg

AFM ENGINEERING, INC.
 1313 E. Borchard Ave
 Santa Ana, CA 92705

TITLE AFM Engineering, Inc
 AFM Part# 104363
 HOT STAMP CONTROL BOX NO PLC 115VAC
 DRAWING NO. 19041-100-1 120VAC REV0 SHEET 1 OF 2

DESIGNED BY C.S.I. 5/10/2019
 DRAWN BY C.S.I. 5/10/2019
 CHECKED BY C.S.I. 5/10/2019
 APPROVED BY C.S.I. 5/10/2019

REV	DATE	CHANGE	TR NO.	REV BY.



S:\AFMMachines\19000 Hot Stamp Control Box\19040 Control Box No PLC\19041 Hot Stamp Control Box No PLC 120vac\19041-100-2 120VAC REV0.dwg

AFM ENGINEERING, INC.
 1313 E. Borchard Ave
 Santa Ana, CA 92705

TITLE
 AFM Engineering, Inc
 AFM Part# 104363
 HOT STAMP CONTROL BOX NO PLC 115VAC
 DRAWING NO. 19041-100-2 120VAC REV0 SHEET 2 OF 2

DESIGNED BY C.S.I. 5/10/2019
 DRAWN BY C.S.I. 5/10/2019
 CHECKED BY C.S.I. 5/10/2019
 APPROVED BY C.S.I. 5/10/2019