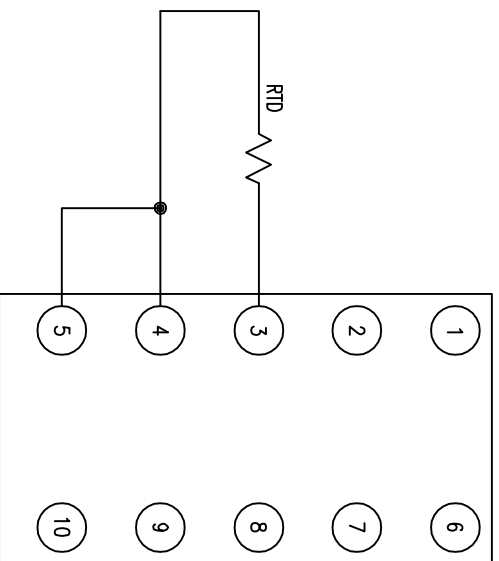


REVISIONS

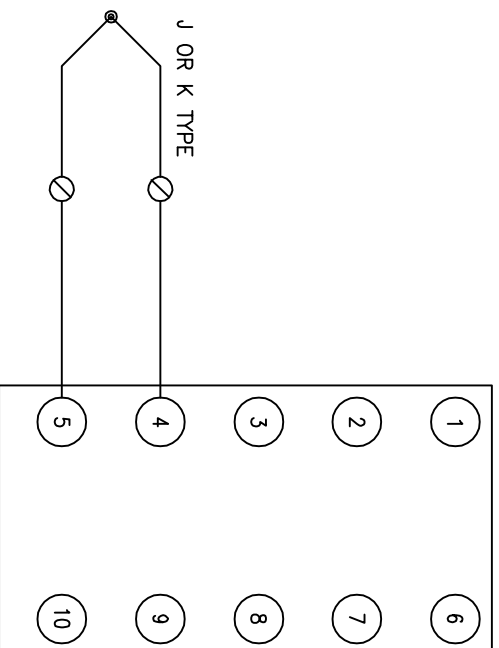
WIRING FOR RDT PROBE
DEFAULT

ESCSV-Q1T-F?



WIRING FOR J OR
K TYPE PROBE

ESCSV-Q1T-F?



C:\USERS\CHARLIE\AFMDDM\DOCUMENTS\DRAWING1.DWG



1313 E. Borchard Ave
Santa Ana, CA 92705

TITLE AFM ENGINEERING, INC.
AB HOT STAMP CONTROL BOX

DRAWING NO.

SHEET 1 OF 1

DESIGNED BY CSI

DRAWN BY CSI

CHECKED BY CSI

APPROVED BY CSI